

BMLA

Full Color HD Camera



BMLAHTC200FEHW

- Full Color Bullet
- 1/3" CMOS Sensor
- 6mm Fixed Lens
- Support Warm white (4000K) , up to 60m

www.longse.com

Data Subject To Change Without Notice

| SPECIFICATION | |
|------------------------|--|
| Model NO. | BMLAHTC200FEHW |
| Video Output Mode | AHD/TVI: 5M@20fps/12.5fps, 4M@30fps, 2M@30fps; CVI: 4M@30fps, 2M@30fps |
| Camera | |
| Image Sensor | 1/3" CMOS Sensor |
| Image Resolution | 5M:2592*1944 4M:2560*1440 2M:1920*1080 |
| TV System | PAL/NTSC |
| Electronic Shutter | AUTO |
| Scanning System | Progressive Scan |
| Lens | |
| Focus Length | 6mm |
| Focus Control | Fixed |
| Lens Type | Fixed |
| Night Vision | |
| IR Cut Filter | YES |
| Infrared LED | NO. Support Warm white (4000K) |
| Light Distanc | up to 60m |
| IR Status | AGC Auto Control |
| Camera Features | |
| Starlight | / |
| Day/Night | color |
| OSD Menu | YES |
| WDR | DWDR |
| UTC | YES |
| Noise Reduction | DNR |
| Coaxial Audio | / |
| White Balance | AUTO / MANUAL |
| Gain Control | AUTO |
| General | |
| Housing | Metal, IP67 |
| Bracket | YES |
| Operation Temperature | -10°C ~ +60°C RH95% Max |
| Storage Temperature | -20°C ~ +60°C RH95% Max |
| Power Source | DC12V±10%, 1000mA |
| Dimension | 220(W) x 109(H) x 106(D)mm |
| Weight | 2.15Kg |

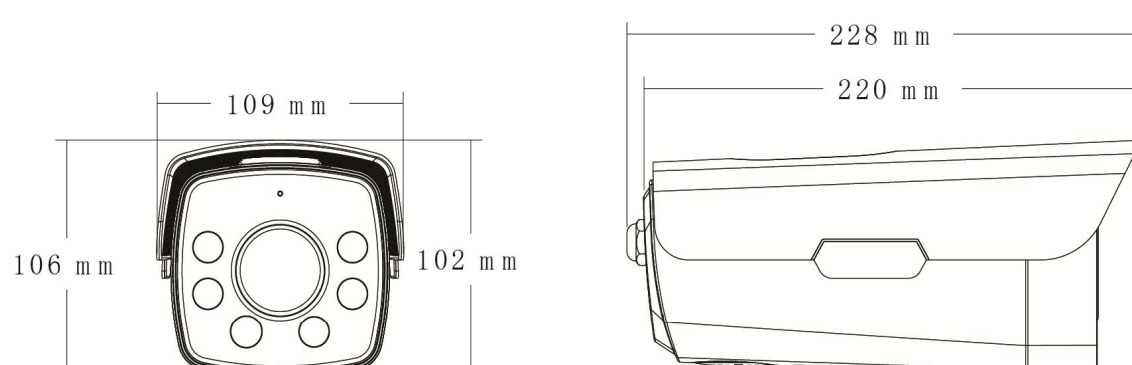
www.longse.com

Data Subject To Change Without Notice

Technical Specifications

| | |
|-----------------------|----------------------|
| Model | BMLA |
| Material | Aluminum & SECC & PC |
| Dimension(WxHxD) | 109 x 106x 220mm |
| Weight | 2.15kg |
| Color | White |
| Operating Temperature | -20°C ~ +60°C |
| Humidity | < 95% RH |
| Junction Box | B320 |

Dimensions (mm)



www.longse.com

Data Subject To Change Without Notice